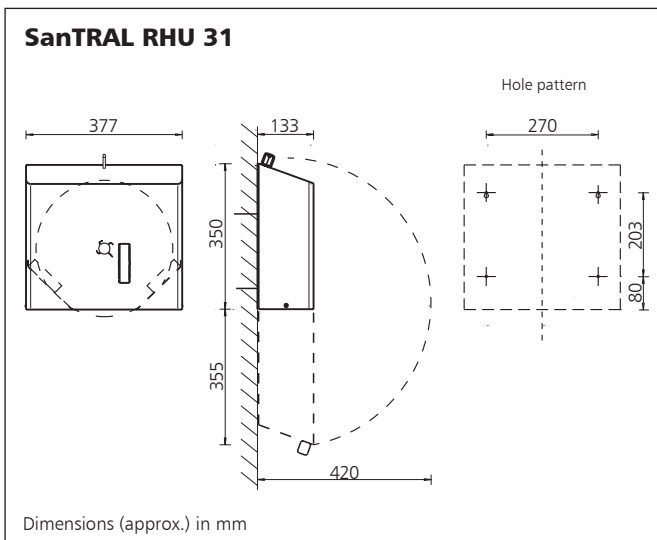
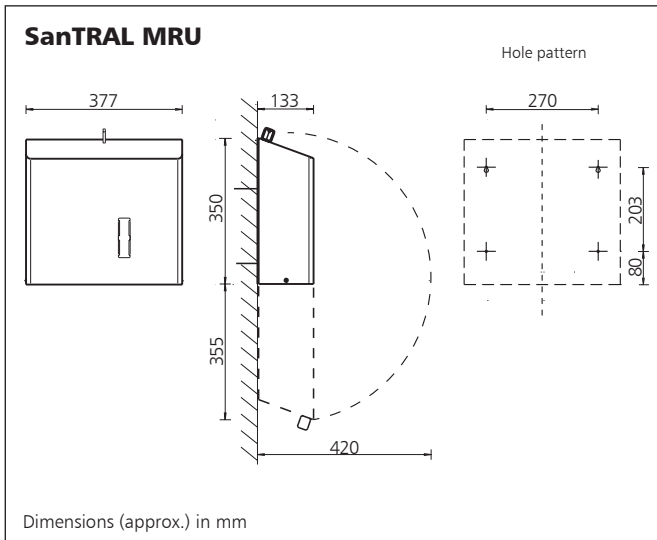


SanTRAL® MRU • RHU 31

dispenser for four toilet paper rolls or large-size roll
free choosable products • lockable



Ophardt Hygiene-Technik GmbH + Co. KG
Lindenau 27 • D-47661 Issum
Tel.: +49 2835 18-0 • Fax: +49 2835 18-77
E-Mail: info@ophardt.com • www.ophardt.com



Toilet tissue dispenser

- ▶ for four standard toilet paper rolls or for one toilet paper large-size roll until approx. Ø 330 mm

References:

- ▶ old people's-/nursing homes, hospitals, laboratories, large kitchen, industry, shopping centers, gastronomy and hotels, airports, penal institutions, schools, sport facilities, administrations

Place of application:

- ▶ toilets

Technical Data

- Housing: Stainless steel, brushed and ground or powder coated (white RAL 9010)
- Window: Plastic, clear
- Lock: Plastic (antivandalism function)
- Key: Plastic
- Wall mounting: 4-point-suspension with four plugs und steel screws

Description for tender

SanTRAL MRU P Art-No. 153800

..... pcs.

dispenser for four toilet paper rolls, automatical rotationsystem, stainless steel, powder coated (white RAL 9010), special lock (antivandalism function), window for the level control, fillable with the product of your choice, housing with pitch of the roof against placing on the dispenser
Dimensions W 377 x H 350 x D 133 mm

SanTRAL MRU E Art-No. 319800

..... pcs.

dispenser for four toilet paper rolls, automatical rotationsystem, stainless steel, brushed and ground, special lock (antivandalism function), window for the level control, fillable with the product of your choice, housing with pitch of the roof against placing on the dispenser
Dimensions W 377 x H 350 x D 133 mm

SanTRAL RHU 31 P Art-No. 316600

..... pcs.

dispenser for toilet paper, large-size roll, approx. Ø 330 mm, special lock (antivandalism function), window for the level control, fillable with the product of your choice, housing with pitch of the roof against placing on the dispenser
Dimensions W 377 x H 350 x D 133 mm

SanTRAL RHU 31 E Art-No. 334200

..... pcs.

dispenser for toilet paper, large-size roll, approx. Ø 330 mm, special lock (antivandalism function), window for the level control, fillable with the product of your choice, housing with pitch of the roof against placing on the dispenser
Dimensions W 377 x H 350 x D 133 mm

Product:

SanTRAL®

Manufacturer:

OPHARDT HYGIENE-TECHNIK GmbH + Co. KG